

NW SERIES

3-PIECE FULL PORT BALL VALVE

STAINLESS STEEL

SUS 316(EN10213-4 1.4408)(ASTM-A351-CF8M)

SUS 304(EN10213-4 1.4308)(ASTM-A351-CF8)

FEATURES:

Blow-out proof stem /Full port

Investment casingy body and cap

Direct Mounting Pad for ISO Standard 5211

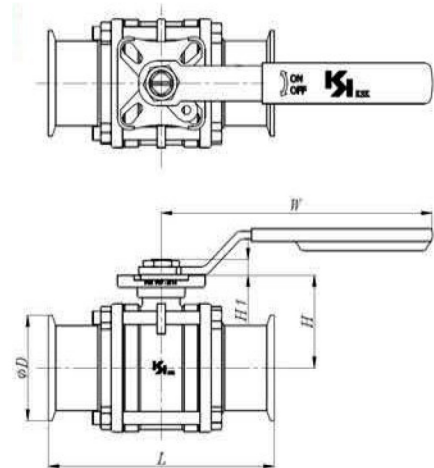
CLAMP END

100% factory tested

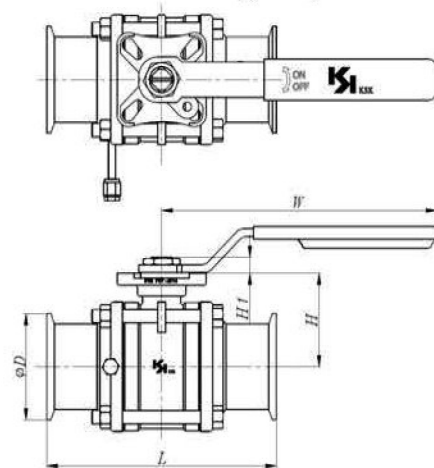
SPECIFICATION						
Seat Material	Temp.Range	Pressure	Leak Rates			
			Inborad	Across Seat		
PTFE	-10 ~ 80°C	10kgf/cm ²	$\leq 1.0 \times 10^{-6}$ atm.cc/sec He	$\leq 1.0 \times 10^{-6}$ atm.cc/sec He		
FLANGED END (JIS 10K)						
Model	Size	W	L	H	H1	D
NW16	1/2"	112	92	38	9.8	30
NW25	3/4"	138	112.2	41.7	11.5	40
NW40	1-1/2"	205	127.5	59.5	16	55
NW50	2"	205	178	67	16	75

STRUCTURE	
Parts	Material
BODY	SUS316
CAP	SUS316
BALL	SUS316
BALL SEAT	PTFE
JOINT GASKET	PTFE
STEM	SUS316
THRUST WASHER	PTFE
STEM PACKING	PTFE
HIGH WASHER	SUS304
BELLEVILLE WASHER	SUS304
STEM NUT	SUS304
O-RING	VITON
BOLT	SUS304
SPRING WASHER	SUS304
HEX NUT	SUS304
STOPPER	SUS304
HANDLE	SUS304
PLASTIC COVER	PLASTIC
STOPPER PIN	SUS304
LOCK WASHER	SUS304

BUTT WELD END



BUTT WELD END+OPP(SWG)



BUTT WELD END+IOPP(SWG)

